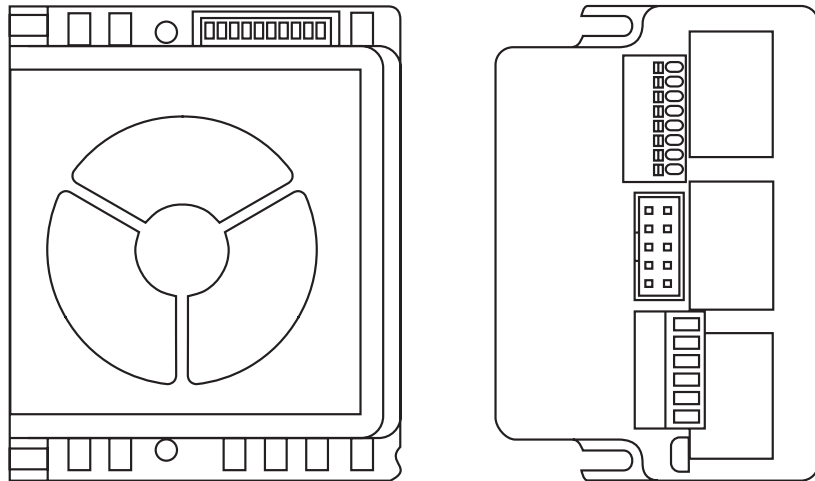




Valco Instruments Co. Inc.

## M Series Pump Models M6 and M50 Instruction Manual

*For units with MicroLynx-4 controller,  
shipped prior to September 2016*



Top and side views of MicroLynx-4 controller, shown actual size

m6-m50.MicroLynx.indd  
Rev. 9/17

North America, South America, and Australia/Oceania contact:

**VICI**® Valco Instruments Co. Inc.  
800 - 367 - 8424 sales  
713 - 688 - 9345 tech  
713 - 688 - 8106 fax  
valco@vici.com

Europe, Asia, and Africa contact:

**VICI**® VICI AG International  
Schenkon, Switzerland  
Int + 41 - 41 - 925 - 6200 phone  
Int + 41 - 41 - 925 - 6201 fax  
info@vici.ch

The information in this manual has been carefully checked and believed to be accurate; however, no responsibility is assumed for inaccuracies.

VICI maintains the right to make changes without further notice to products described in this manual to improve reliability, function, or design. VICI does not assume any liability arising from the use or application of this product; neither does it convey any license under its patent rights.

**IMS** and <sup>MICRO</sup>**EVAX** are trademarks of Intelligent Motion Systems, Inc.

Certain copyrighted figures and diagrams used in this manual are used with the permission of Intelligent Motion Systems, Inc.

VICI does not recommend the use of an M Series pump in life support or applications where it may directly or indirectly threaten life or injury. See the Warranty and Disclaimer statement included in the back of this manual.

# Table of Contents

---

Product Description	
Operating Principle.....	1
Software.....	1
Getting Started	
Components of the M Series System .....	2
PC System Requirements.....	2
Hardware Installation	
Mounting .....	4
Connections .....	5
Initial Setup	
M6-LHS Software Installation.....	6
COM Port Assignment .....	6
Initialization .....	6
Selecting Pump and Gearbox Values.....	7
Setting the Backlash and Volume/Revolution Values .....	7
Priming and Testing the Pump	
Tubing Connections (M6 shown).....	10
Initial Priming .....	10
Programming Application Methods	
Method Screen Functions .....	12
Example Application Methods	
1. Prime System.....	14
2. Aspirate and Dispense .....	14
3. Dispense Selected Reagents.....	16
Maintenance	
Routine Maintenance .....	17
Routine Cleaning.....	17
Chemical Compatibility of Wetted Surfaces	
Model M6 .....	18
Model M50 .....	19
Technical Support.....	20
Returning Pumps for Repair .....	20
Operational and Technical Specifications .....	21
<i>Appendix A: MicroLYNX Terminal Section</i>	
Terminal Programming Mode.....	22
<i>Appendix B: Setup for Multipump Operation</i>	
Connections .....	24
Setting the Address of each MicroLYNX .....	25
Troubleshooting Party Mode Communications.....	28
Warranty .....	30



---

## Product Description

---

The Cheminert® M Series liquid handling pump is a syringe-free pump capable of delivering a bidirectional flow to six orders of magnitude. It is a positive displacement pump, which means that it is self-priming and tolerant of any gas which may find its way into the fluid lines. Since there is no separate fill cycle, the pump can be operated continuously, and volumetric capacity is limited only by time.

RS-232 and RS-485 communication protocols are incorporated into the microprocessor-driven controller. (USB interface requires an adapter.)

The M Series pump is recommended for any liquid handling applications requiring accuracy and precision. It is particularly suited for applications with a wide range of volumes (which entail laborious syringe changes with other pumps) and for applications which benefit from the versatility provided when the pump is coupled with the optional multiposition reagent selection valve.

### Operating Principle

At the core of the pump is a rotor which houses four pistons. As the micro-stepper motor turns the rotor, the pistons float on a stationary cam; at any given moment, one piston is filling, one is dispensing, and the other two are in transit between the fill and dispense positions.

### Software

The pump comes complete with M6-LHS software, which employs standard liquid handling terminology and an integrated valve control package in a familiar Windows format for everyday lab usage. For more advanced control of system parameters, IMS (Intelligent Motion Systems) software can be downloaded directly from the IMS website at [www.imshome.com](http://www.imshome.com). Hardware installation (pages 4-5) is the same for all users.

# Getting Started

---

## Components of the M Series System

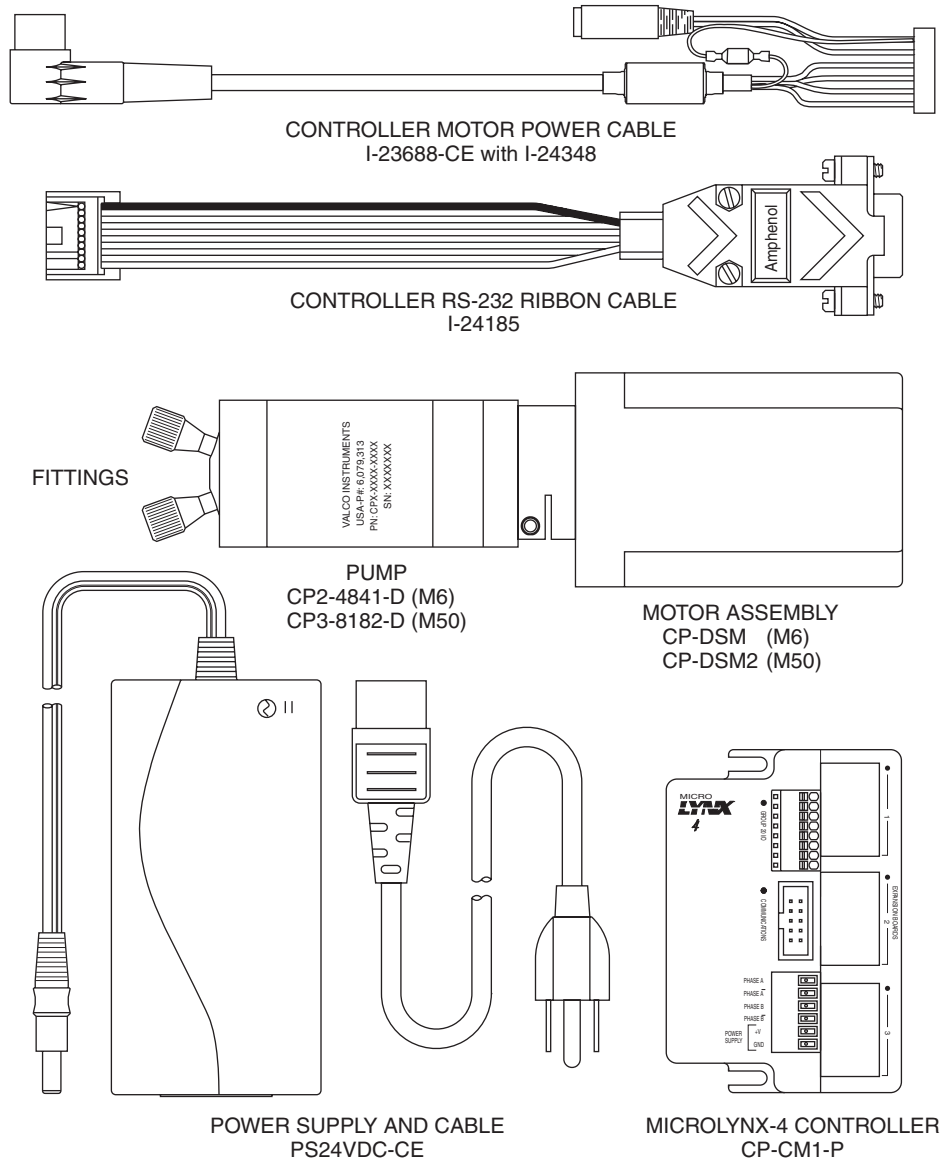
Check the contents of the packages against **Figure 1** to verify that you have received all of the components. Contact the factory if anything is missing or damaged. (NOTE: damaged shipments must remain with the original packaging for freight company inspection.)

Components include:

- Pump
  - Model M6: Product number CP2-4841-D
  - Model M50: Product number CP3-8182-D
- Motor assembly
  - Model M6: Product number CP-DSM
  - Model M50: Product number CP-DSM2
- MicroLYNX controller: Product number CP-CM1-P
- Controller motor power cable with 5 pin DIN connector
- Controller RS-232 ribbon cable
- 24 VDC power supply
- 110/220 VAC cable for power supply
- Fittings (2)
  - Model M6: Product numbers ZN1FPK (nut) and ZGF1PK (ferrule)
  - Model M50: Product numbers CFL-2BK-S (nut) and CFL-CB2KF-S (bushing)
- M6-LHS software CD
- Manual
- Quality control certificate

## PC System Requirements

Pentium PC 100 MHz or higher, running Windows 95, 98, ME, NT, 2000, or XP. The pump controller requires a dedicated serial port. If your pump system includes a valve with electric actuator, an additional serial port is required. Alternately, a USB to RS-232 adapter (not supplied) can be used for one or both connections. The adapter may be purchased from any computer supply outlet.



System components not shown in illustration:

1. This manual
2. LHS software CD
3. Quality control certificate
4. *Optional* stream selection valve and valve controller  
(Contact VICI for details)

**Figure 1:** Components of the M Series pump system

# Hardware Installation

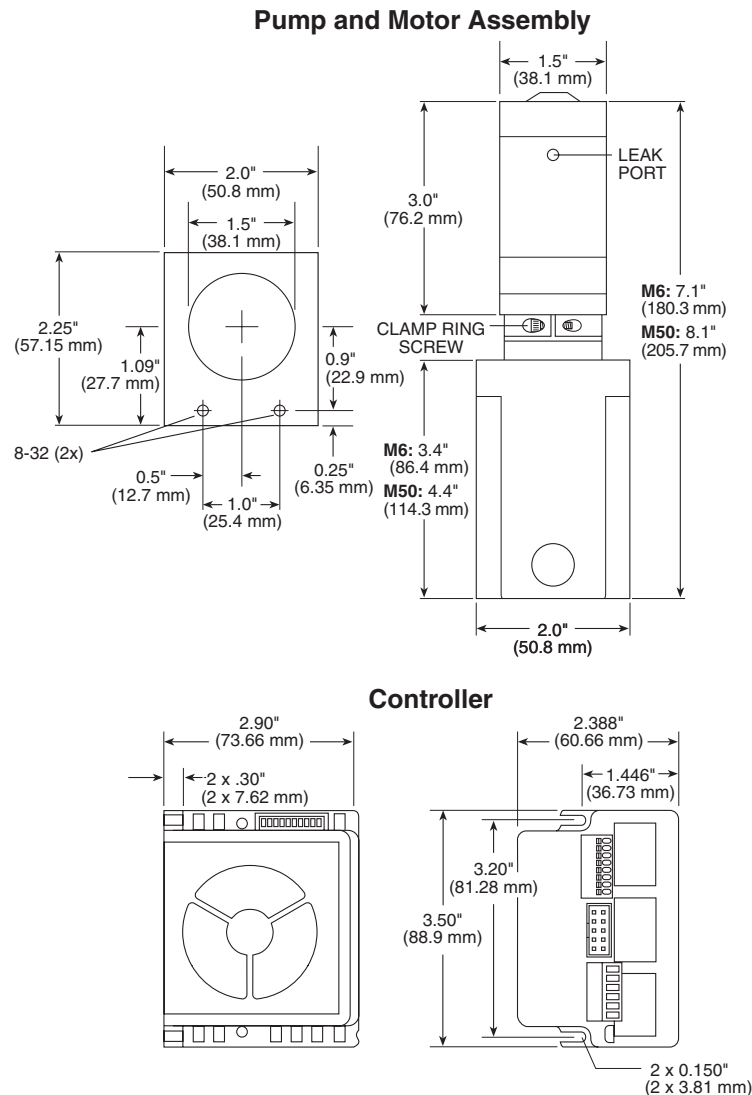
## Mounting

The mounting points of the pump motor and controller are given in **Figure 2**, along with the external dimensions of each module.



**For best results, the M Series pump must be oriented with its ports facing up. If the pump is oriented in any other direction, bubbles may be trapped in the internal chambers of the pump.**

The controller should be mounted in such a way to allow adequate cooling. If the cooling fan is obstructed the controller may overheat.



**Figure 2:** Mounting points and external dimensions for the pump, motor, and controller

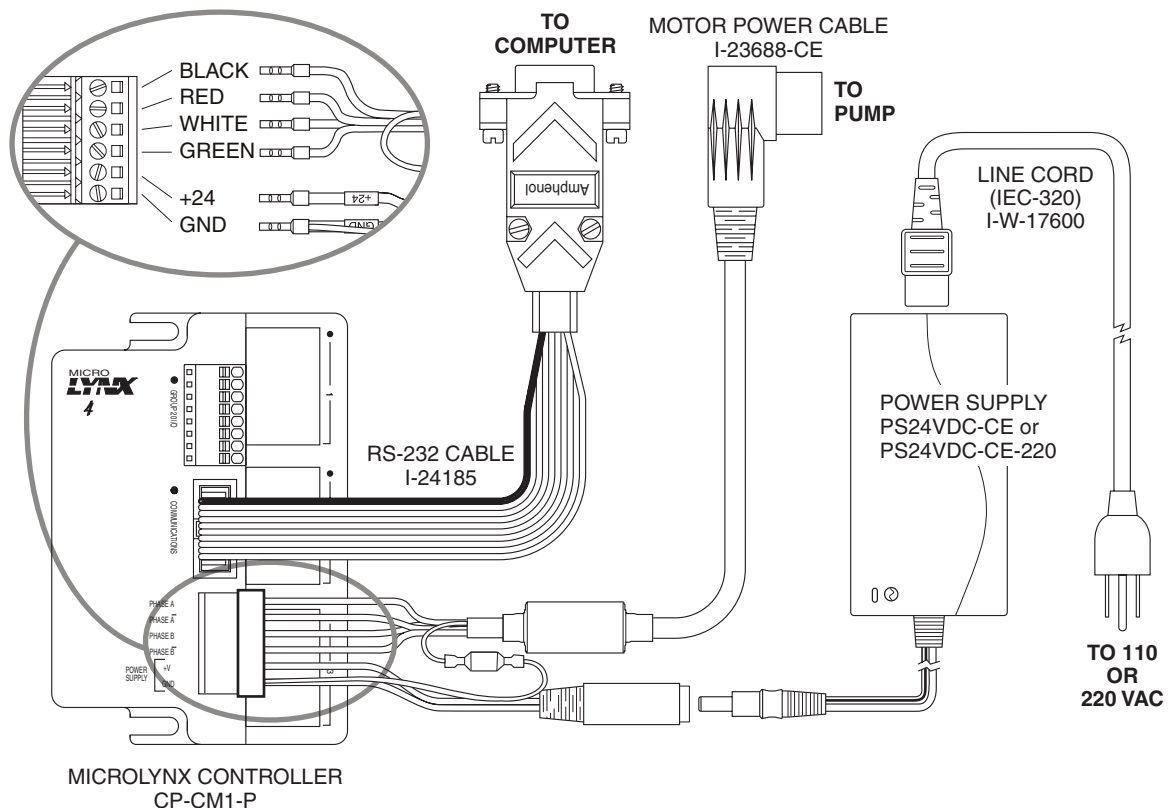


## Connections



**CAUTION:** Supply power to the power supply only after all connections have been made. Failure to do so may destroy the controller. Take precautions to avoid static discharges to the controller.

1. Connect the power supply and motor power cable to the controller as shown below.
2. Connect the motor power cable to the pump.
3. Plug one end of the RS-232 cable into the pump controller and the other into a serial port on the computer.
4. If the system includes a valve, plug one end of its RS-232 cable into the valve actuator controller and the other end into a second serial port on the computer. If a second serial port is not available, an RS-232 to USB adapter is required.
5. Plug the valve controller power supply into a 110 or 220 VAC source.



**Figure 3:** M Series controller cabling diagram with RS-232 connection

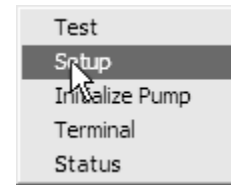
# Initial Setup

## M6-LHS Software Installation

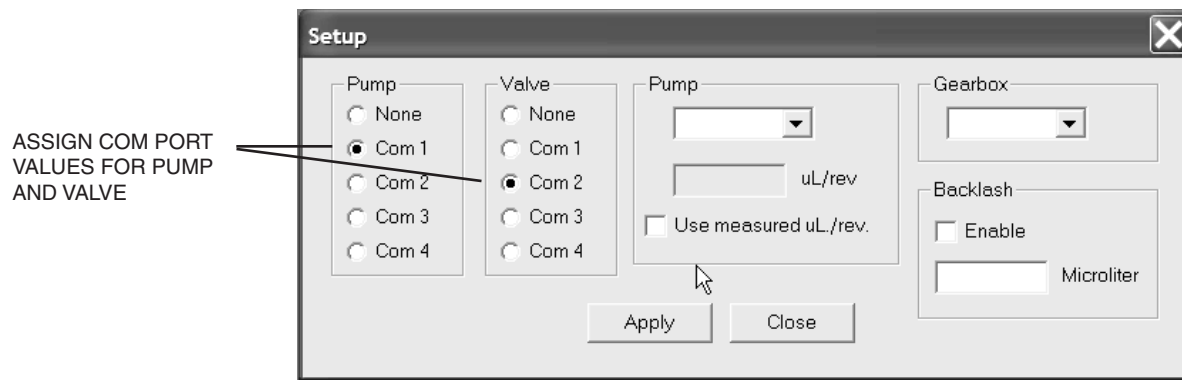
Insert the M6-LHS software CD into the PC. If the installation doesn't begin automatically, browse the CD and double click on the file called *setup.exe*. The installer will place an icon for M6-LHS on the Windows desktop.

## COM Port Assignment

1. Double click the icon on the desktop to start the M6-LHS software.
2. On main menu, choose Utility > Setup, as in **Figure 4**.
3. Select the correct COM port for the pump and valve. If no valve is being used, select None. (**Figure 5**)
4. Click Apply, then Close.



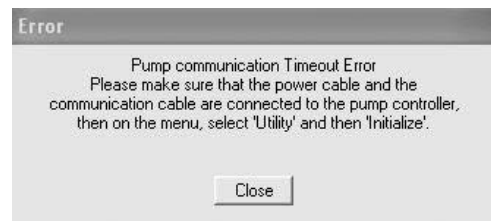
**Figure 4:** Select "Setup"



**Figure 5:** Select COM ports for pump and valve

## Initialization

1. On the main menu, choose Utility > Initialize Pump. If initialization is successful, proceed to the next section, "Setting the Backlash and Volume/Revolution Values".
2. If the error message in **Figure 6** appears, close the window, then check that all the connectors are completely plugged in and make sure all the dip switches on the controller are in the "up", or OFF position. Repeat Step 1.
3. If initialization is successful, proceed to the next section, "Setting the Backlash and Volume/Revolution Values".
4. If the error message persists, make sure that the COM port assignments correspond to the ports to which the cables are physically connected. Repeat Step 1.

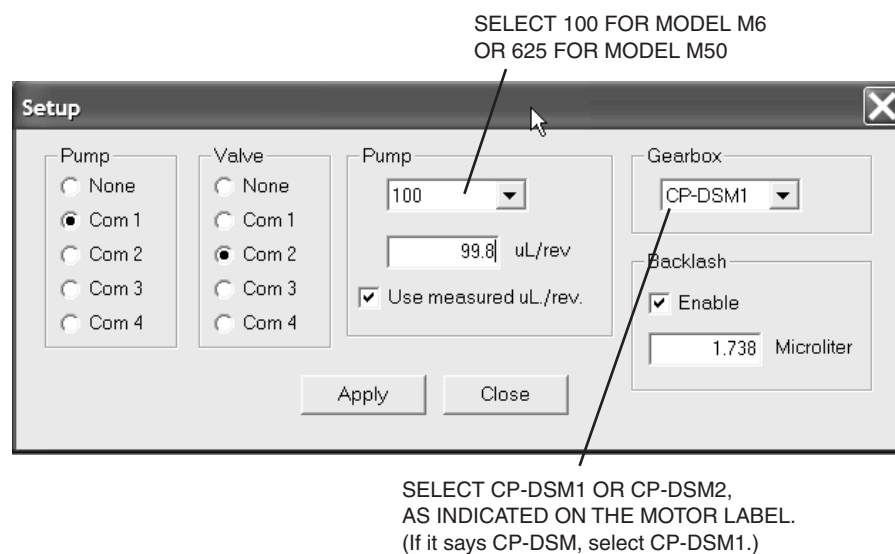


**Figure 6:** Initialization error message

## Selecting Pump and Gearbox Values

In the Gearbox pulldown menu, select CP-DSM1 or CP-DSM2, based on the gearbox type indicated on the motor label. If the label says CP-DSM, select CP-DSM1.

In the Pump pulldown menu, select 100 for Model M6 or 625 for Model M50. (The values 4 and 750 are currently unused.) These values represent nominal  $\mu\text{L}/\text{revolution}$  for the two models. The next section discusses how these can be overridden for greater accuracy.



**Figure 7:** Selecting pump and gearbox values

## Setting the Backlash and Volume/Revolution Values

Backlash is defined as the transition from the aspirate function to the dispense function, or vice versa. The MicroLYNX software observes the factory default settings of 1.5  $\mu\text{L}$  for backlash, and 100  $\mu\text{L}$  or 625  $\mu\text{L}$  for volume/revolution (as set above, depending on the pump model).

However, the actual values for each pump are calibrated and recorded on the QC certificate supplied with every unit. There are several situations, delineated below, in which these values must be entered manually to override the factory defaults.

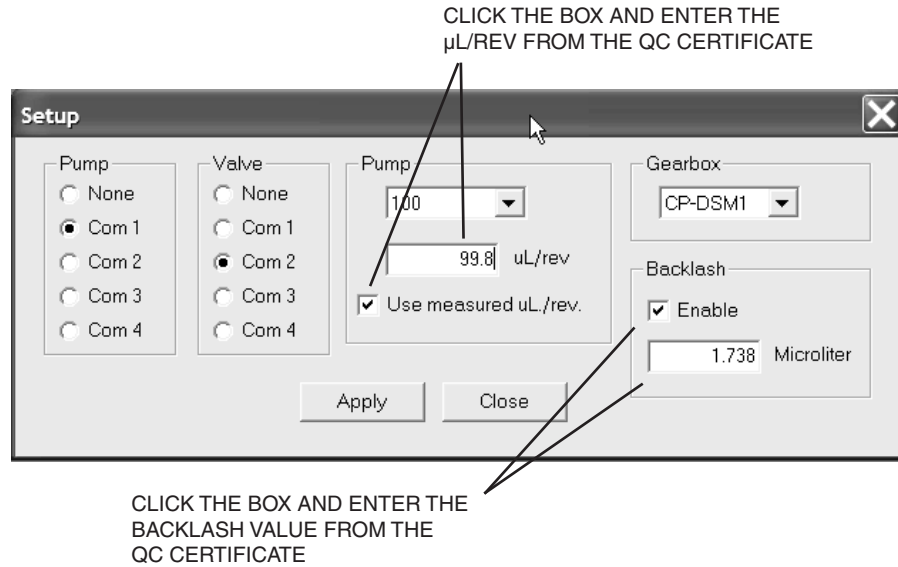


### Manual entry of backlash and $\mu\text{L}/\text{rev}$ values is required:

- For all uses of a Model M50 pump
- For all applications utilizing M6-LHS software
- For all applications utilizing IMS software (Refer to page 23.)
- When a pump is repair or replaced

To override the factory default values for backlash and  $\mu\text{L}/\text{rev}$ :

1. Locate the backlash and  $\mu\text{L}/\text{rev}$  values on the QC certificate.
2. Click the Enable box under Backlash on the Setup screen, and type in the backlash value.
3. Click the Use measured  $\mu\text{L}/\text{rev}$  box under Pump, and type in the volume per revolution.
4. Click Apply, then Close.



**Figure 8:** Setting the backlash and volume per revolution values

This page is intentionally left blank for printing purposes.

## Priming and Testing the Pump

At this stage, some basic tests will determine that the tubing connections are tight and that the pump is rotating in the proper direction. The tests include an initial priming of the pump to remove all air and unwanted solutions in the tubing.



**Use proper safety precautions when pumping flammable liquids. In all applications, make sure you have enough tubing and sufficient quantities of solutions ready for use before beginning a procedure.**

### Tubing Connections (M6 shown)

M6 pumps should not be used with tubing ODs smaller than 1/16". For M50 pumps, the minimum OD is 1/8".

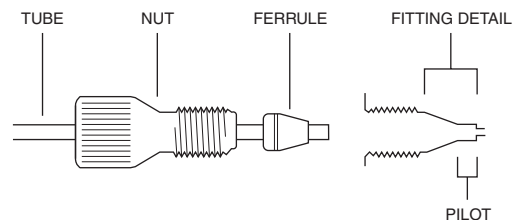


**Improperly installed fittings can create space for a bubble to become trapped, degrading pump performance. The use of non-VICI fittings can also adversely affect pump function and performance.**

1. Connect a length of tubing to the inlet (Port A) and place the other end in a vessel containing isopropyl alcohol.
2. Connect a second length of tubing to the outlet (Port B) and place the other end into a receiver bottle.

#### Fitting Assembly Instructions

1. Slide the nut and ferrule onto the tubing in the order shown.
2. Insert this assembly into the fitting detail, screwing the nut in two or three turns by hand.
3. Push the tubing all the way forward into the detail so that it seats firmly.  
*This is essential for a proper zero dead volume connection.*
4. Turn the nut into the detail until it is finger tight.



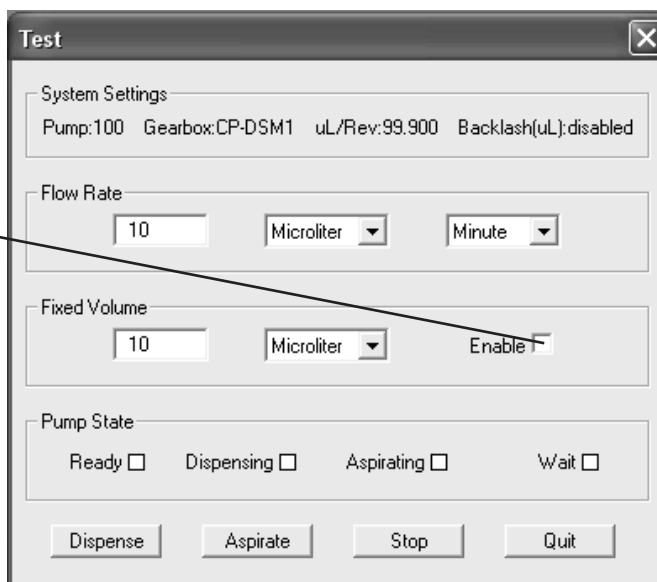
### Initial Priming

In the Test Mode, a mouse click on a button directs the pump to either aspirate or dispense. (Refer to page 13, No. 7 for a definition, if required.) When the Enable box in the Fixed Volume area is checked, (see **Figure 8**) the pump will aspirate or dispense the quantity entered in the Fixed Volume field and then stop. If the Enable box is *not* selected, the pump will continue to run at the set Flow Rate until either Stop (stops aspirating or dispensing) or Quit (exits the Test Mode) is selected.



**If the pump aspirates a volume larger than the outlet tube volume, sample or reagent could enter the pump and mix with liquid in the reservoir.**

CLICK THE BOX FOR A ONE TIME FIXED VOLUME ASPIRATE OR DISPENSE.  
LEAVE THE BOX UNCLICKED FOR CONTINUOUS PUMPING AT THE ENTERED FLOW RATE.



**Figure 9:** Priming the pump in the Test Mode (M6 values shown)

1. If the screen in **Figure 9** is not already open, go to the main menu, and choose Utility > Test.
2. If the tubing ID is 0.010" or less, enter
 

Flow Rate:	200 $\mu\text{L}/\text{min}$
Fixed Volume:	1000 $\mu\text{L}$
	Click the Enable box

If the tubing ID is larger than 0.010", enter

Flow Rate:	9000 $\mu\text{L}/\text{min}$
Fixed Volume:	1000 $\mu\text{L}$
	Click the Enable box

(In the Test Mode, user-entered flow parameters cannot be saved; when you exit the program, these values will revert to defaults.)

---

NOTE: Smaller ID and longer length tubing can cause excessive restriction. Adjust flow rates accordingly. Maximum backpressure is 100 psi.

---

3. Click the Dispense button. The designated volume of isopropyl alcohol should move through the tubing and into the receiver bottle, removing any air bubbles and priming the system. If it does, the pump is primed and ready for use.

---

NOTE: If a buffer will be used, flush all the isopropyl alcohol out of the lines by placing the inlet tube in a vessel of water, changing the fixed volume to 2000  $\mu\text{L}$ , and clicking the Dispense button.

---

4. If the pump doesn't seem to draw any isopropyl alcohol into the tubing:
  - (a) Check for leaks around the fittings and make sure the tubing is well seated in the pump head.
  - (b) Make sure the end of the tubing is free to draw liquid into the pump. (TIP: Cut the tip end that goes into the isopropyl alcohol reservoir at a 45° angle.)
  - (c) Touch the pump to make sure it is on.

If the pump still doesn't seem to function properly, consult the factory.

# Programming Application Methods

## Method Screen Functions

From the main menu, choose Method > New to open the screen below.

### 1: Method status

*Idle, Active (running), or Editing*

### 2: Mode activation buttons

*Run:* Starts running the method.

*Reset:* Pauses a method which is underway, allowing a change to the editing mode.

*Repeat:* If this box is clicked, when the method completes the last action, it goes back to first action in a continuous loop.

### 3: Function status

Indicates the current activity during a run.

### 4: Event button

Refer to **No. 11: Event box**.

### 5: Edit and Close buttons

*Edit:* When the method is idled, clicking this button changes it into the editing mode.

*Close:* Closes the method screen.

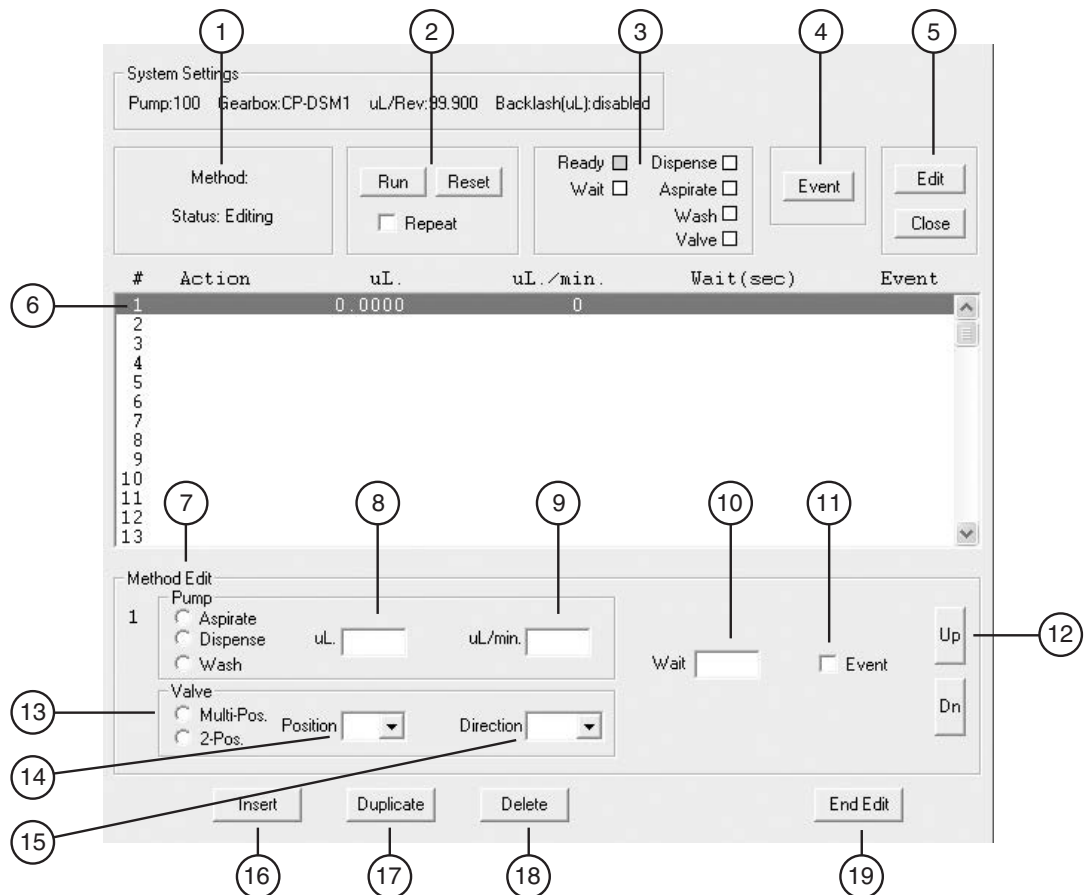


Figure 10: The Method screen



**6: Action line**

A step in the method sequence, reflecting the values entered by selecting or typing values in the Pump, Valve, and Wait fields. To move to a different line for editing, just click on it or use **No. 12: Up and Dn buttons**.

**7: Pump function**

*Aspirate:* Draw liquid *into* the line connected to the pump *outlet* (Port B).

*Dispense:* Force a pre-programmed amount of liquid through the pump.

*Wash:* Wash or flush the lines (always in the outward direction, or A to B) with system fluid or a pre-programmed reagent selected.

**8: Volume**

The amount to be aspirated, dispensed, or sent through as a wash.

**9: Flow rate**

The rate at which the given volume is aspirated, dispensed, or sent through as a wash.

**10: Wait field**

If a value is entered in this field for an action line, during a run the program will wait for the designated time (in seconds) after the completion of that action before advancing to the next action. Used after an aspirate or dispense step to allow the liquid to equilibrate in the line or the dispensed liquid to come to equilibrium, as with viscous liquids or very small capillary tubing.

**11: Event box**

When this box is clicked when programming an action line, the program will stop before that action is executed. The program will remain stopped until **No. 4: Event Button** is clicked. (If the step before the event line has a programmed Wait interval, the Event button will not trigger the action until the Wait interval has elapsed.)

**12: Up and D(ow)n buttons**

In the Editing mode, these move the line highlighter up and down.

**13: Valve type**

Multi-Pos: Multiposition stream selector

2-Pos: Two position switching valve/injector

**14: Valve Position**

The position the valve needs to be in to select the proper solvent or reagent.

**15: Valve Direction** (for Multi-Pos only)

The direction the valve will take to the indicated position – the shortest (used in most cases), clockwise, or counterclockwise.

**16: Insert button**

Inserts a new action line above the highlighted line.

**17: Duplicate button**

Duplicates the highlighted line. The new line can then be edited as required.

**18: Delete button**

Deletes the highlighted line.

**19: End Edit button**

When editing is complete, click this button to return to the Idle mode, ready to Run.

## Example Application Methods

In the Test Mode, user-entered flow parameters cannot be saved; when you exit the software, the values revert to defaults. So creating several simple example methods is a useful way to start learning the M6-LHS software. The methods below utilize flow parameters characteristic of the Model M6, but the same principles apply to programming for the M50.

### Example method 1: “Prime System”

1. From the main menu, choose Method > New to open the screen in **Figure 10** on page 12.
2. Action line one will be highlighted. In the pump function field, select Dispense, and enter the volume and flow rate values from Step 2 at the top of page 11. This will dispense the isopropyl alcohol, as in our initial priming done in the Test mode.
3. Click Duplicate to add a new, identical action.
4. While action line 2 is highlighted, check the Event box.
5. Click the End Edit button.
6. On the main menu, choose Method > Save, and call this method “prime system”.

#### *Running “prime system”*

1. With the inlet tube in a vessel of isopropyl alcohol, click the Run button. The box next to Dispense in the function status area will turn green, indicating that the first action line is underway.  
  
Since the Event box for action line 2 is checked, the program will pause before executing action line 2.
2. Move the inlet tube to a vessel of water and click on the Event button to start action line 2, which now dispenses water to flush the alcohol from the system.

### Example method 2: “Aspirate and Dispense”

1. From the main menu, choose Method > New to open the screen in **Figure 10** on page 12.
2. Action line one will be highlighted. In the pump function field, select Wash, then enter 1000 for the volume and 9000 for the flow rate. For larger tubing, increase the wash volume to equal five times the tubing volume.
3. Click the Duplicate button to make an identical Wash action line.
4. Use the Dn (down) button to highlight the second line, then click the Insert button.
5. For the newly inserted line, select Aspirate in the pump function field, then enter 10 for the volume and 100 for the flow rate.
6. Click the Duplicate button to make an identical Aspirate line.
7. Click on the newly created line to highlight it, then change the volume to 100 and the flow rate to 500, and enter “2” in the Wait box.

8. Use the Dn (down) button to highlight the last line, then click the Insert button.
9. For the newly inserted line, select Dispense in the pump function field, then enter 110 for the volume and 1000 for the flow rate.
10. Click the End Edit button.
11. On the main menu, choose Method > Save, and call this method “aspirate and dispense”.

The result should look like **Figure 11**.

#### TIP

The method in **Figure 11** is written so all functions will be automatically performed when the Run button is clicked. For manual operation, check the Event box for each action line. Then each line is performed by clicking the Event button.

System Settings  
Pump:100 Gearbox:CP-DSM1 uL/Rev:99.900 Backlash(uL):disabled

Method: Status: Editing

Run Reset Repeat

Ready  Dispense   
Wait  Aspirate   
Wash   
Valve

Event Edit Close

#	Action	uL.	uL./min.	Wait(sec)	Event
1	Wash	1000.0000	9000		
2	Aspirate	10.0000	100		
3	Aspirate	100.0000	500	2	
4	Dispense	110.0000	1000		
5	Wash	1000.0000	9000		
6					
7					
8					
9					
10					
11					
12					
13					

Method Edit

Pump

1  Aspirate  Dispense  Wash

uL. 1000.00 uL/min. 9000

Wait 0  Event

Up Dn

Valve

Multi-Pos. Position  Direction

2-Pos.

Insert Duplicate Delete End Edit

**Figure 11:** Example “Aspirate and Dispense” method for Model M6

### Example method 3: “Dispense Selected Reagents”

This method, which employs an 8-position multiposition valve for selecting multiple reagents to be added to tubes or microplates, is a typical example of the applications possible when a Valco or Cheminert valve is integrated into the pump/M6-LHS system. A wash step (or in this case, a prime step) is incorporated between reagents.

NOTE: Wash is always in the dispense or outward direction of the pump, and can be used for washing with a system fluid, or, as in this case, a reagent.

By now you should know how to enter all the information shown in **Figure 12** to create this method. (Only the first four positions for the 8-position valve are shown.)

**TIP**

You might find it handy to use the Duplicate button to create all the nearly identical Multi Valve action lines, then go back with the Insert button to create the Wash and Dispense lines.

The screenshot shows the 'Method Edit' screen for Model M6. At the top, 'System Settings' are displayed: Pump:100, Gearbox:CP-DSM1, uL/Rev:99.900, Backlash(uL):disabled. Below this are control buttons: 'Run', 'Reset', 'Repeat', 'Ready', 'Dispense', 'Wait', 'Aspirate', 'Wash', 'Valve', 'Event', 'Edit', and 'Close'. The main area is a table with columns: #, Action, uL., uL./min., Wait(sec), and Event. The table lists 13 steps: 1. Multi Valve pos. = 1 dir. = Short; 2. Wash 1000.0000 9000 Yes; 3. Dispense 100.0000 1000 Yes; 4. Wash 1000.0000 9000 Yes; 5. Multi Valve pos. = 2 dir. = Short; 6. Wash 1000.0000 9000; 7. Dispense 100.0000 1000; 8. Multi Valve pos. = 3 dir. = Short; 9. Dispense 100.0000 1000; 10. Wash 1000.0000 9000; 11. Dispense 100.0000 1000; 12. Multi Valve pos. = 4 dir. = Short; 13. Wash 1000.0000 9000. At the bottom, the 'Method Edit' section shows controls for step 1: Pump (Aspirate, Dispense, Wash), uL. (1000.00), uL./min. (9000), Wait (0), Event, and Valve (Multi-Pos. at Position 1, Direction Short). 'Up' and 'Dn' buttons are on the right. At the very bottom are 'Insert', 'Duplicate', 'Delete', and 'End Edit' buttons.

#	Action	uL.	uL./min.	Wait(sec)	Event
1	Multi Valve	pos. = 1	dir. = Short		
2	Wash	1000.0000	9000		Yes
3	Dispense	100.0000	1000		Yes
4	Wash	1000.0000	9000		Yes
5	Multi Valve	pos. = 2	dir. = Short		
6	Wash	1000.0000	9000		
7	Dispense	100.0000	1000		
8	Multi Valve	pos. = 3	dir. = Short		
9	Dispense	100.0000	1000		
10	Wash	1000.0000	9000		
11	Dispense	100.0000	1000		
12	Multi Valve	pos. = 4	dir. = Short		
13	Wash	1000.0000	9000		

Figure 12: Method screen (partial) for example “Dispense Selected Reagents” method for Model M6

# Maintenance

---

Follow these recommended cleaning and maintenance instructions to obtain optimum performance and maximum life from your pump.

---



**If the pump is not going to be used for at least 24 hours, make sure no solvents are left in the pump. Following this procedure will extend pump lifetime and prevent seizing.**

---

## Routine maintenance

- Flush the pump thoroughly with distilled or de-ionized water after each use. **Store the pump dry.**
- Avoid running the pump dry for extended periods. The pump is self-priming and will dispel entrapped bubbles when orientated vertically.
- Inspect the pump for signs of leakage on a regular basis and correct any problems immediately. Liquid entering the motor housing could damage the motor and gear assembly.  
Leakage from the pump's leak port indicates excessive backpressure and unreliable pumping action. (See **Figure 2** on page 4.)
- Wipe up all spills on and around the pump immediately

## Routine cleaning

The high temperatures associated with autoclaving will compromise the pump seals. Therefore, chemical procedures should be employed to ensure sterility. The pump fluid path can be cleaned with any of the following cleaning solutions:

- Dilute detergent wash
- Dilute acid and base wash  
Pump 5 mL of **0.1N NaOH**, followed by  
5 mL (Model M6) or 50 mL (Model M50) of **water**, followed by  
5 mL of **0.1N HCl**, followed by  
10 mL (Model M6) or 50 mL (Model M50) of **water**
- Dilute bleach wash:  
Pump 5 mL of a **10% bleach** solution followed by  
10 mL (Model M6) or 50 mL (Model M50) of **water**

# Chemical Compatibility of Wetted Surfaces

---



**To ensure best results, please consider the chemical compatibility of the wetted surfaces with the liquids to be used before putting the pump into service.**

---

## Model M6

### PTFE

The piston tips are made from PTFE. Polytetrafluoroethylene is the generic name for the class of materials such as Teflon®. It offers superior chemical resistance and lends itself to good sealing characteristics. Because it's so easy to handle, it is often used in low pressure situations such as the M6 pump. Compounds of low molecular weight can permeate PTFE.

### PAEK

The pump port end cap is made of a PAEK-based composite. Polyaryletherketone is the generic name for the family of polyketone compounds. PAEK includes PEK, PEEK, PEKK, and PEKEKK, which differ in physical properties and, to a lesser degree, in inertness. This composite used in the M6 resists all common HPLC solvents and dilute acids and bases. However, concentrated or prolonged use of halogenated solvents may cause the polymer to swell. Avoid concentrated sulfuric or nitric acids (over 10%) and refer to the guidelines on the next page.

### Valcon P

The M6 pump rotor is made from Valcon P. This PTFE/carbon composite is employed as a rotor material in many Valco valves, so it has seen extensive use in many analytical applications. It is routinely used at 1000 psi/75°C, and can also be used at temperatures approaching 200°C with decreased sealing tension.

### Sapphire

The M6 piston chambers are made of sapphire and are sealed in place with a Viton® O-ring. Sapphire has a unique set of properties including high strength, hardness, surface smoothness, and excellent chemical compatibility. It is commonly used in applications where a combination of exceptional mechanical and chemical properties is essential.

### Viton®

Viton® O-rings are used to seal the sapphire pistons. Besides its excellent mechanical properties, Viton® provides the best proven fluid and chemical resistance of any commercial non-fluorinated elastomer. *NOTE: Viton® is not compatible with THF and acetone. Use of these substances will cause premature O-ring failure, which can lead to additional pump damage.*

## Model M50

### Valcon H2

The M50 cap is a carbon fiber-reinforced, PTFE-lubricated inert polymer. This material is routinely used at 5000 psi at temperatures not more than 75°C.

### Ceramic

The M50 pump rotor is made of ceramic ( $ZrO_2$ ), which is resistant to most chemicals.

### PTFE

The piston tips are made from PTFE. Polytetrafluoroethylene is the generic name for the class of materials such as Teflon®. It offers superior chemical resistance and lends itself to good sealing characteristics. Because it's so easy to handle, it is often used in low pressure situations such as the M50 pump. Compounds of low molecular weight can permeate PTFE.

## Guidelines

Specific reagent combinations should be tested to insure compatibility with pump components. Since the least chemically inert component in these composites is PEEK, for optimum component lifetime the following guidelines\* (for PEEK at room temperature) should be followed:

Acids and bases .....	No stronger than 1 M (exceptions noted below)
Sulfuric acid .....	Resistant to 10%
Hydrochloric acid .....	Resistant to 20%
Hydrofluoric acid .....	Not resistant to 40% (no data on lower conc.)
Nitric acid .....	Resistant to 10%
Dibutylamine in Toluene .....	Not rated
Sodium hydroxide .....	Resistant
Hydrogen sulfide .....	Resistant
Methyl mercaptan .....	Not rated
Acetone .....	Resistant (see Viton® note on previous page)
Methyl ethyl ketone .....	Resistant
Methyl alcohol .....	Resistant
Toluene .....	Resistant
Xylene .....	Resistant
Chloroform .....	Resistant
Chlorobenzene .....	Resistant
Iodine/iodide in water .....	Not rated
Sodium hypochlorite .....	Resistant
(household bleach)	
Permanganate .....	Resistant
Hexane .....	Resistant

\* Corrosion Resistance Tables, Schweitzer, Marcel Dekker, 1991

## Technical Support

---

Technical support for this product is handled by the VICI facilities in Houston, Texas, USA, and Schenkon, Switzerland.

### USA

Telephone: (713) 688-9345  
Fax: (713) 688-8106  
Email: tech\_usa@vici.com

### Switzerland

Telephone: int+41 41 925-6200  
Fax: int+41 41 925-6201  
Email: tech@vici.ch

Firmware updates for the MicroLynx-4 can be downloaded from [www.IMSHome.com](http://www.IMSHome.com).

## Returning Pumps for Repair

---

The following procedure must be followed when pumps are returned to VICI for repair:

1. To obtain a Return Merchandise Authorization number (RMA#), go to <http://www.vici.com/returns.php>. You can navigate there by clicking the Returns/repairs link under the Service pulldown menu.
2. Return the pump and the completed decontamination report (if requested) to:

VICI Valco Instruments Co. Inc.  
Repair Department  
Attn: RMA#  
8300 Waterbury  
Houston, TX 77055

or

VICI AG International  
Attn: RMA#  
Parkstrasse 2  
CH-6214 Schenkon, Switzerland



## Operational and Technical Specifications

Power requirement	Both Models (M6 and M50)	
Rest current draw	0 mA	
Operational current draw	Typical 800 mA, 1600 mA at acceleration	
Voltage	Typical 24 VDC, input voltage 12 - 48 VDC	
Communications (COM1 or COM2)		
Type	RS-232 standard, RS-485 (RS-422) optional	
Baud rate	Default 9600 bps, Full range 4800 - 38,800 bps	
Parity	None	
Data bits per character	8	
Stop bits	1	
Error checking	None	
Mode	ASCII	
Environmental		
Operating Temperature	0 - 50°C	
Operating Humidity	< 90% non-condensing	
Storage Temperature	-20°C – 70°C (dry)	
Motor		
Type	2 Phase Bipolar (1.8° per step)	
Planetary Gear Assembly	M6	M50
Ratio	1:4.75	1:9.88
Physical Specifications		
Dimensions	See Figure 2	See Figure 2
Weight: pump	520 g	540 g
motor and gear assy.	560 g	650 g
micro-electric controller	300 g	300 g
power supply	300 g	300 g
Resolution	MSEL=256	MSEL=256
Minimum flow	5 nL/min	1 µL/min
Maximum continuous flow	5 mL/min	25 mL/min
Maximum intermittent flow*	10 mL/min	35 mL/min
Maximum back pressure	100 psi	100 psi
Volume accuracy (%error)	±0.5% at 1.25 mL ±0.5% at 125 µL	±0.5% at 8 mL ±0.5% at 800 µL
Volume precision (%CV)	<0.1% at 1.25 mL <0.5% at 125 µL	<0.1% at 8 mL <0.5% at 800 µL
Fittings	1/16" Valco detail (10-32)	1/8" Cheminert (1/4-28)
Fluid contact	PTFE, Sapphire, PAEK, Viton®, and Valcon P	PTFE, Ceramic, Valcon H2

\* High speed continuous flow or the use of chemicals incompatible with the wetted surfaces (refer to page 17) will reduce pump lifetime.

# Appendix A: MicroLYNX Terminal Section

## Terminal Programming Mode

The Terminal (MicroLYNX) programming mode is for advanced control of the M Series Pump, allowing the user to alter the factory default settings for various parameters. While this may be useful in certain research applications, the main use is for OEM (original equipment manufacturer) customers. **Figures 13** and **14** show the various control settings used for specialized applications, as well as the default settings.

On the main menu, choose Utility > Terminal, as in **Figure 13**. To change any of the parameters, enter the commands in **Figures 14** and **15**.

NOTE: Commands highlighted in **bold** are the most commonly used commands. Commands in **gray** also impact the system's use, and can be issued from a terminal emulation program such as Windows Terminal.

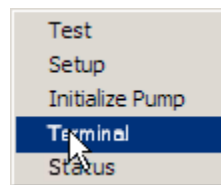


Figure 13: Select "Terminal"

Command	Description	Factory
ACCL=n	Peak acceleration value, $\mu\text{L}/\text{sec}^2$	1000*
ACLT=n	Acceleration type	1*
DCLT=n	Deceleration type	1*
DECL=n	Peak deceleration rate, $\mu\text{L}/\text{sec}^2$	1000*
<b>SLEW n,m</b>	<b>Slew the motor at a constant velocity, m=0 use acceleration ramp, m=1 do not use acceleration ramp, velocity in <math>\mu\text{L}/\text{sec}</math></b>	
<b>SSTP m</b>	<b>Stop the current motion, m=0 stop motion only, m=1 stop motion and program, m omitted is the same as m=0</b>	
<b>VI=n</b>	<b>Initial pump velocity, <math>\mu\text{L}</math></b>	<b>0.0001*</b>
<b>VM=n</b>	<b>Maximum velocity of pump during a pump action, <math>\mu\text{L}/\text{sec}</math></b>	<b>20*</b>
MOVA n,m	Move to an absolute pump position, n is position in $\mu\text{L}$ , sign of n indicated direction, m=0 with deceleration, m=1 no deceleration, m=0 if omitted	
<b>MOVR n,m</b>	<b>Dispense/aspirate, n is volume in <math>\mu\text{L}</math>, sign of n indicates direction, m=0 with deceleration, m=1 no deceleration, m=0 if omitted</b>	
<b>MVG</b>	<b>Flag that indicates whether the pump is moving, TRUE=moving, FALSE=stopped. Use the PRINT command to see the present value.</b>	
POS=n	Register that contains the present pump position in $\mu\text{L}$	
MAC=n	Motor acceleration current used when the pump is accelerating, n=% of 4A	40*

\* Indicates variables which must be manually updated after an IP command.

Figure 14: MicroLYNX-4 commands, part A

Command	Description	Factory
MHC=n	Motor holding current used when the pump is stationary, n=% of 4A	0*
MRC=n	Motor run current used when the pump is running, n=% of 4A	35*
HCDT=n	Delay time in milliseconds between cessation of motion and the return to the current level specified by the MHC variable	0*
MSEL=n	Micro stepping resolution, n=2,4,8,16,32,64,128,256	256*
MUNIT=n	Conversion factor from motor pulses to user units (µL), n=19 for MSEL=2, n=304 for MSEL=32. $MUNIT = \frac{MSEL \text{ step resolution} * (360/\text{motor step size}) * \text{gear ratio}}{\text{volume in } \mu\text{L of one revolution}}$	2432 *
BLE=n	Backlash compensation enable flag, n=1 enable, n=0 disable	1*
BLM=n	Backlash mode, n=0 mechanical, n=1 mathematical	1*
BLSH=n	Backlash compensation amount, µL	1.5**
CTR1	Counter of pulses sent to motor	
ALL	Variable used with GET, PRINT, and IP instruction	
ERR	Read only flag that indicates whether an error has occurred	
ERROR	Read only variable that gives the error code of the most recent error	
FLAGS	Used with GET, PRINT, and IP instruction	
IP n	Initialize specified parameters to factory default settings, n omitted initializes ALL, n=ALL, VARS, FLAGS, IOS. You will need to manually update variables marked with an *.	
PGM	Keyword to place MicroLynx into program mode	
<b>PRINT n</b>	<b>Instruction to output variable value to screen</b>	
<b>SAVE</b>	<b>Instruction to save ALL variables to non-volatile memory</b>	
SER	Read only variable that contains the serial number of the MicroLynx	
VARS	Used with GET, PRINT, and IP instruction	
VER	Read only variable that contains the present MicroLynx firmware version	
CP=n	Clears the program space on the MicroLynx	
EXEC n	Execute the program located at address n	
LIST n	List the program starting at address n	
<b>&lt;ESC&gt;</b>	<b>Terminate all active operations and running programs</b>	
Ctrl-C	Terminate all active operations and running programs, forces a partial reset	
BAUD=n	Sets the baud rate	96
DN="n"	Set the device address for PARTY mode operation	"!"
ECHO=n	Specifies whether commands will be echoed back over comm line, n=0 Full duplex, n=1 Half duplex, n=2 Only respond to PRINT and LIST commands	0
PRMT	Specifies the character to be used as a prompt character	>
BSY	Flag that indicates whether a program is running	
PARTY	Enables / disables PARTY mode for multi drop applications	
HOST	Establish or disable a controller as host in a multi-drop installation. Host=1 controller is host, Host=0 controller is not host. Host controllers receive commands on RS-232 and transmit them to other units via RS-485	

\* Indicates variables which must be manually updated after an IP command.

\*\* The backlash value must be manually set to the value on the QC certificate.

Figure 15: MicroLYNX-4 commands, part B



**We recommend that you contact VICI technical support before changing any of the factory default values. They are application dependent, and any changes could adversely affect the pump and its performance.**

## Appendix B: Setup for Multipump Operation

### Connections

Make up cables using the following guidelines. Note that communication with the PC is assumed to be via RS-232.

If you are using an RS-232 to RS-485 converter, treat the converter as the Host, with all MicroLYNXes configured as slaves.

#### Four wire RS-485

MicroLYNX #1		MicroLYNX #2		MicroLYNX #n	
7 pin connector	Signal	7 pin connector	Signal	7 pin connector	Signal
4	RX+	7	TX-	7	TX-
3	RX-	5	TX+	5	TX+
5	TX-	3	RX+	3	RX+
7	TX+	4	TX-	4	TX-
6	C Gnd	6	C Gnd	6	C Gnd
<i>Set system variables to the following values:</i>					
Host=1		Host=0		Host=0	
Party=1		Party=1		Party=1	
Echo 2=0		Echo 2=0		Echo 2=0	
<i>Set the device address using the address DIP switches:</i>					
Address: A		Address: B		Address: C	
A0=ON, A1=OFF, A2=OFF		A0=OFF, A1=ON, A2=OFF		A0=OFF, A1=OFF, A2=ON	

#### Two wire RS-485 (e.g., to couple to valves as well)

MicroLYNX #1		MicroLYNX #2		MicroLYNX #n	
7 pin connector	Signal	7 pin connector	Signal	7 pin connector	Signal
4	B	7	A	7	A
3	A	5	B	5	B
5	A	3	B	3	B
7	B	4	A	4	A
6	C Gnd	6	C Gnd	6	C Gnd
<i>Set system variables to the following values:</i>					
Host=1		Host=0		Host=0	
Party=1		Party=1		Party=1	
Echo 2=1		Echo 2=1		Echo 2=1	
<i>Set the device address using the address DIP switches:</i>					
Address: A		Address: B		Address: C	
A0=ON, A1=OFF, A2=OFF		A0=OFF, A1=ON, A2=OFF		A0=OFF, A1=OFF, A2=ON	

## Setting the Address of each MicroLYNX

The party address can be set by either hardware switches or software. In this discussion, “party address” and “drive name” are synonymous.

### Hardware method

1. Connect the communications cable (RS-232 or RS-485) to the first MicroLYNX only. (*NOTE: power can be connected to all units.*)
2. Set the three address switches to OFF (which equals “no address”).
3. Apply power. You should get the following startup string.

Program copyright 1996-2000 by:  
Intelligent Motion Systems, Inc.  
Marlborough, CT 06447  
VER = 1.5000 SER = xxxxxxxx

4. Set the three address switches to assign the address desired (uppercase A – G) for the controller being configured.
5. Label the controller with its address for easy reference.
6. Type Control-C [*Ctrl-C*]. (*Or cycle the power by removing power, waiting for the LED to go out, then reapplying power.*)

Address	A2	A1	A0
None	OFF	OFF	OFF
A	OFF	OFF	ON
B	OFF	ON	OFF
C	OFF	ON	ON
D	ON	OFF	OFF
E	ON	OFF	ON
F	ON	ON	OFF
G	ON	ON	ON

The MicroLYNX is now in party mode, but there will *not be any message indicating this*; nor will you get the > prompt. You do not have to set PARTY=1; if the address switches have been set, party=1 will be set internally.



**In the party mode, all commands must be preceded by the address (*upper case*) and terminated with [*Ctrl-J*].**

7. Test the setup by sending the command PRINTVER, requesting the version of the firmware. (This illustration is for address A; substitute the appropriate address.)

**Input:**     A`PRINT VER`[*Ctrl-J*]

You should receive the line:

**Output:**    VER = x.xx.

8. If the first controller in a multi-controller setup is connected to the PC by RS-232, then the Host flag must be set to true (1).

**Input:**     A`HOST=1`[*Ctrl-J*]

**Input:**     A`SAVE`[*Ctrl-J*]

9. Remove power and connect the communications cable(s) to the next MicroLYNX. Repeat the address assignment procedure for each controller, assigning a different address to each. There can be as many as 6 more, or a total of 7.
10. Connect all units' communication lines using RS-485 and apply power. All units are now in party mode.

---

**Software method**


---



**The hardware method is the simplest approach, and should be used when possible.**

---

1. Connect the communications cable (RS-232 or RS-485) to the first MicroLYNX only. (*NOTE*: power can be connected to all units.)
2. Set the three address switches to OFF (which equals “no address”).
3. Apply power. You should get the startup string shown on page 23, step 3.
4. The address is set with the DN command.

**Input:**      DN="x" <ENTER>

The “x” represents the address of your choice, which can be any single ASCII character from a-z, A-Z, or 0-9.

---



**The address must be enclosed with quotes when naming. The quotes are not required when sending commands to the controller.**

---

5. Save the address.

**Input:**      xSAVE<ENTER>

6. Establish party mode.

**Input:**      xPARTY=1<ENTER>

The cursor will not move. The MicroLYNX is now in party mode.

---



**In the party mode, all commands must be preceded by the address (*upper case*) and terminated with [*Ctrl-J*].**

---

7. Test the setup by sending the command PRINT VER, requesting the version of the firmware. (Remember, “x” is the value assigned above.)

**Input:**      xPRINT VER[*Ctrl-J*]

You should receive the line:

**Output:**    VER = x.xx.

8. If the first controller in a multi-controller setup is connected to the PC by RS-232, then the Host flag must be set to true (1).

**Input:**      xHOST=1[*Ctrl-J*]

**Input:**      xSAVE[*Ctrl-J*]

9. Remove power and connect the communications cable to the next MicroLYNX.
10. Set the three address switches on the new unit to any address different from the address you assigned in step 4. This will be the temporary address until you rename the unit as desired with the DN command.
11. Apply power.

12. Set the address with the DN command.

**Input:** `nDN="x"[Ctrl-J]`

The *n* represents the address assigned by the hardware switches in step 10. The "x" represents the address you are assigning via the software method, which can be any single ASCII character from a-z, A-Z, or 0-9. *The address must be enclosed with quotes during the naming process.*

13. Save the address.

**Input:** `xSAVE[Ctrl-J]`

14. Set all three address switches to OFF. (If they're not set to OFF, the switches will override the software setting on power up.)

15. Type Control-C [Ctrl-C]. (Or cycle the power by removing power, waiting for the LED to go out, then reapplying power.)

Repeat steps 9-15 for each additional controller.

### Notes about party communication

- There is no sign-on message in party mode.
- All communications must be terminated with [Ctrl-J]. The Enter key will not work. If Enter is accidentally pressed, the MicroLYNX will not complete the command until a [Ctrl-J] is sent.
- When an individual MicroLYNX is in party mode, it monitors communications looking for its address. If the first character in a communication does not match its address, that MicroLYNX stops "listening" until a [Ctrl-J] is detected. All devices "pay attention" after a [Ctrl-J]. Therefore if you accidentally type a wrong character and the unit you are trying to communicate with seems to be ignoring you, send a [Ctrl-J] to make every MicroLYNX start monitoring again.
- When using RS-232 to communicate in a multiple MicroLYNX system, the unit that is physically connected to the RS-232 cable must be configured as the host (HOST=1) because it handles the translation to RS-485 and sends/receives for the other units. There can only be one host; therefore all other units must be set to HOST=0.

### Setup for an M Series pump, a MicroLYNX controller, and a Valco valve

RS-232		Pump		Selection Valve	
9 pin D-shell	Signal	7 pin connector	Signal	3 pin Amp connector	Signal
3	TX	1	RX		
2	RX	2	TX		
		3	RX+		
		4	RX-		
5	Gnd	5	TX+	2	B
		6	Gnd	1	Gnd
		7	TX-	3	A
9600, n, 8, 1		Host=1 Party=0 Echo 1=0 Echo 2=0			

## Troubleshooting Party Mode Communications

If you can't communicate with a MicroLYNX in party mode, first make sure that commands are preceded with the correct address and terminated with *[Ctrl-J]*. Also remember that the unit will stop listening if you send a wrong address. Send a *[Ctrl-J]* and try again. If it still doesn't work, read on.

### If using hardware switch addressing

- *Are you sending a lower case address?*  
The address is *uppercase* A-G. The units will not respond to lower case.
- *Did you remember to cycle power or [Ctrl-C] after setting the switches?*  
The address assignment takes place only after power up or *[Ctrl-C]*.

### If using software addressing

- *Did you enclose the desired address in quotes (DN="x")?*  
While quotes are not required when sending commands to the controller, during assignment the address must be enclosed within quotes.
- *Are the switches all off?*  
If not, the switch address will override the software address on power up. You will have to reset the software address using the procedure on page 26.
- *Did you accidentally set the wrong address?*  
You may have inadvertently set the address to an unintended character or wrong case. To recover, set the switches to any unused address (A-G) and cycle power or send a *[Ctrl-C]*, then reset the software address using the procedure on page 26. If addresses A-G are all used, temporarily remove from system and reset address, then reinstall in system.

### If using RS-232

- *Is the unit connected to RS-232 set to Host=true (1)?*  
If not, disconnect all other units and set the Host mode as described in step 8 on page 26.
- *Did you set more than the first MicroLYNX to Host=true?*  
Only the unit actually connected to the RS-232 cable can be the host; all others must have the host set to false (0). Disconnect communication cables from all units. Connect the RS-232 cable to each unit in turn and check the Host setting by sending PRINT HOST. The reply should be FALSE for all but the first unit in the system. If required, send HOST=0 to the clear host flag.



**If problems still exist, perform the following:**

1. Check all cable connections to ensure there are no loose wires or short circuits or incorrect connections.
2. Remove power.
3. Connect the communication cable to the problem MicroLYNX only.
4. Set all address switches on the problem MicroLYNX to OFF.
5. Apply power.
6. Set the MicroLYNX to single mode.

**Input:** \*PARTY=0

**Output:** (The MicroLYNX will echo the address to which it is currently set.)

The MicroLYNX is now in single mode and an address is not required.

7. **Input:** IP[Ctrl-J]
8. **Input:** SAVE[Ctrl-J]
9. **Input:** [Ctrl-C]

(Or cycle the power by removing power, waiting for the LED to go out, then reapplying power.)

**Output:** Program copyright 1996-2000 by:  
Intelligent Motion Systems, Inc.  
Marlborough, CT 06447  
VER = 1.5000 SER = xxxxxxx

The MicroLYNX should send the sign-on message. At this point, the Host and Party flags have been reset, the address has been reset to ! and no address is required to communicate with this controller.

10. Start over with either the hardware method or the software method for setting the address. The procedures begin on page 25.

# Warranty



**Certain applications using the M Series pump may involve potential risks of death, personal injury, or severe property or environmental damage. The M Series pump is not designed, authorized, or warranted to be suitable for use in life support devices or systems or other critical applications. Inclusion of VICI products in such applications is understood to be fully at the customer's risk.**

This Limited Warranty gives the Buyer specific legal rights, and a Buyer may also have other rights that vary from state to state. For a period of 365 calendar days\* from the date of shipment, Valco Instruments Company, Inc. (hereinafter Seller) warrants the goods to be free from defect in material and workmanship to the original purchaser. During the warranty period, Seller agrees to repair or replace defective and/or nonconforming goods or parts without charge for material or labor, or, at the Seller's option, demand return of the goods and tender repayment of the price. Buyer's exclusive remedy is repair or replacement of defective and nonconforming goods, or, at Seller's option, the repayment of the price.

***Seller excludes and disclaims any liability for lost profits, personal injury, interruption of service, or for consequential incidental or special damages arising out of, resulting from, or relating in any manner to these goods***

This Limited Warranty does not cover defects, damage, or nonconformity resulting from abuse, misuse, neglect, lack of reasonable care, modification, or the attachment of improper devices to the goods. This Limited Warranty does not cover expendable items. This warranty is VOID when repairs are performed by a nonauthorized service center or representative. For information about authorized service centers or representatives, write Customer Repairs, Valco Instruments Company, Inc, P.O. Box 55603, Houston, Texas 77255, or phone (713) 688-9345. At Seller's option, repairs or replacements will be made on site or at the factory. If repairs or replacements are to be made at the factory, Buyer shall return the goods prepaid and bear all the risks of loss until delivered to the factory. If Seller returns the goods, they will be delivered prepaid and Seller will bear all risks of loss until delivery to Buyer. Buyer and Seller agree that this Limited Warranty shall be governed by and construed in accordance with the laws of the State of Texas.

***The warranties contained in this agreement are in lieu of all other warranties expressed or implied, including the warranties of merchantability and fitness for a particular purpose.***

This Limited Warranty supercedes all prior proposals or representations oral or written and constitutes the entire understanding regarding the warranties made by Seller to Buyer. This Limited Warranty may not be expanded or modified except in writing signed by the parties hereto.



**NOTE: There are NO user-serviceable parts inside the pump. Opening the pump by removing or loosening the hex bolts that hold the pump together will void this limited warranty.**

\* The warranty period may be shortened or voided altogether by factors such as an extreme duty cycle (*i.e.*, excessive speed of continuous flow or excessive number of revolutions), use of chemicals incompatible with the pump's wetted materials, or too high a fluid temperature.

Expected lifetime is considered to be 1,000,000 revolutions using DI water at 5 ml/min (M6) or 25 ml/min (M50) at room temperature, without back pressure. At maximum continuous flow, 1,000,000 revolutions is reached in about 14 days (M6 at 5 ml/min) or about 17 days (M50 at 25 ml/min).

In terms of volume, expected pump lifetime at maximum continuous flow is about 100 L for M6 or 625 L for M50.