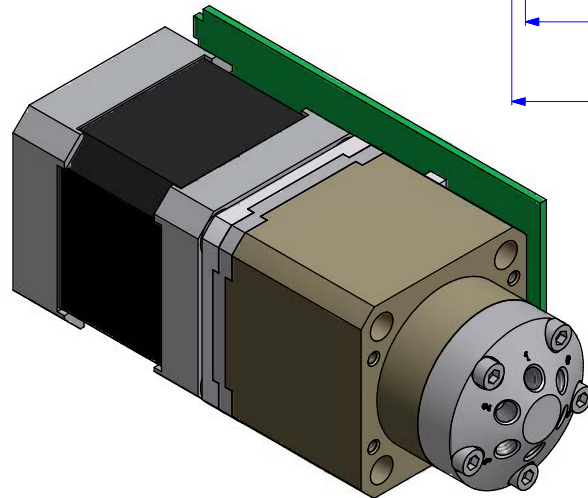
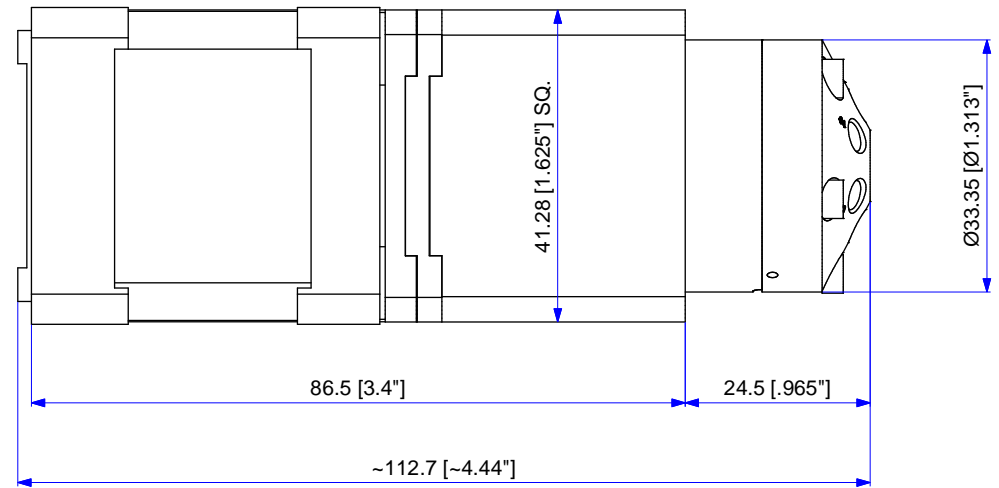
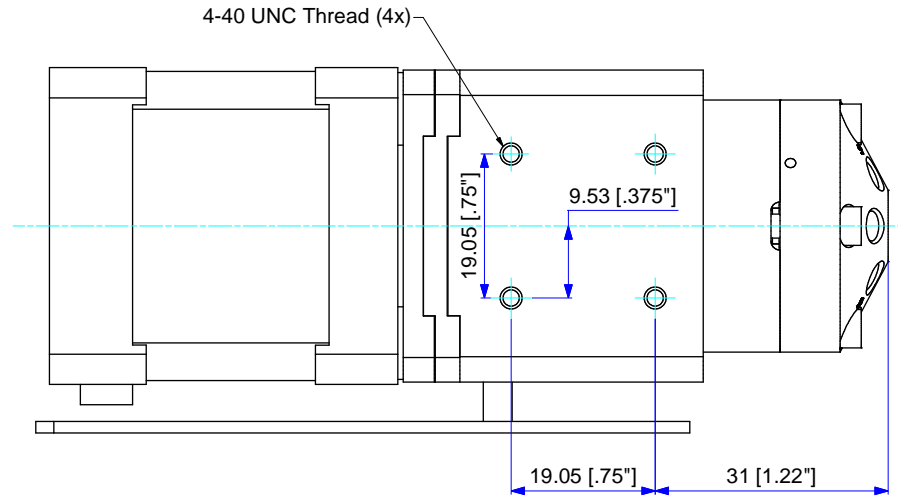
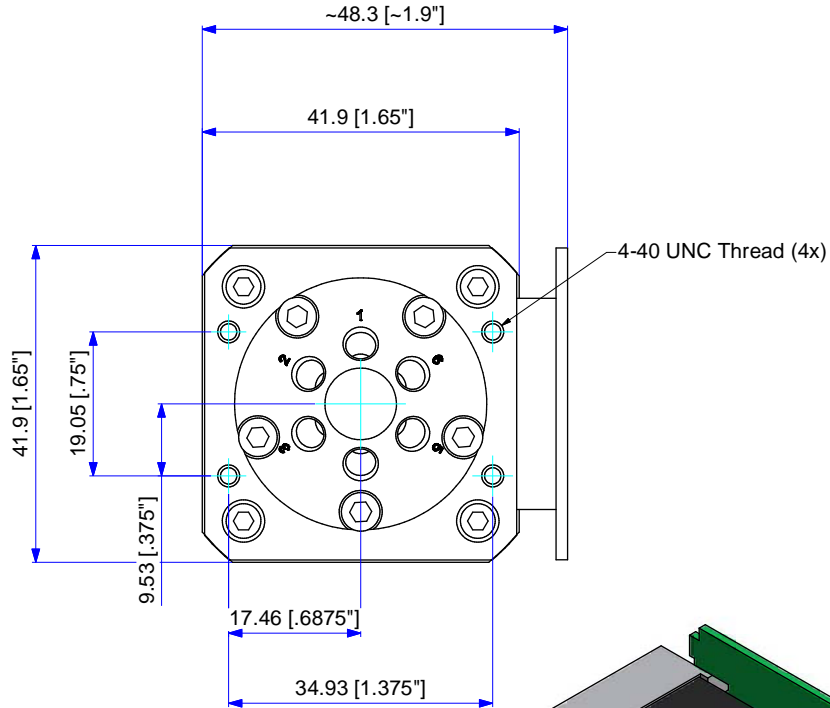


C52-2006I shown, 6 port 2-pos. valve



Dimension in mm [Inch]

THIS DOCUMENT AND THE INFORMATION WHICH IT CONTAINS SHALL NOT BE USED, EXPLOITED OR SOLD, AND SHALL NOT BE REVEALED OR DISCLOSED TO OTHERS WITHOUT THE EXPRESS WRITTEN PERMISSION OF VICI. THIS DOCUMENT SHALL REMAIN THE PROPERTY OF VICI AND SHALL BE RETURNED UPON DEMAND.				Material MATERIAL	Dimension DIMENSIONS
Aenderungen: MODIFICATIONS:		Projection PROJECTION	Allgemein-Toleranzen GENERAL TOLERANCES		
PART NO.:			SN EN 22768-1/ ISO 2768		
Masstab SCALE		Gezeichnet DRAWN	23.07.2010	F.P.	
2:1		Geprüft / Freigegeben CHECKED / RELEASED	23.07.2010	FCO	
General dimensions		CAD Nr. CAD NO.	506376.idw		
Unterverz.: SUB DIRREC.:		KUNDE			
Zeichnungs-Nr. / DRAWING NO.		2 - GE - 5063.76			
VICI® VICI AG International, CH-6214 Schenkon					