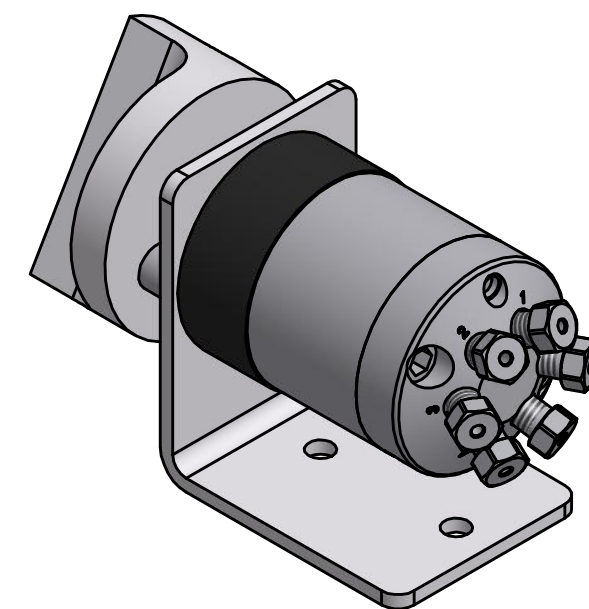
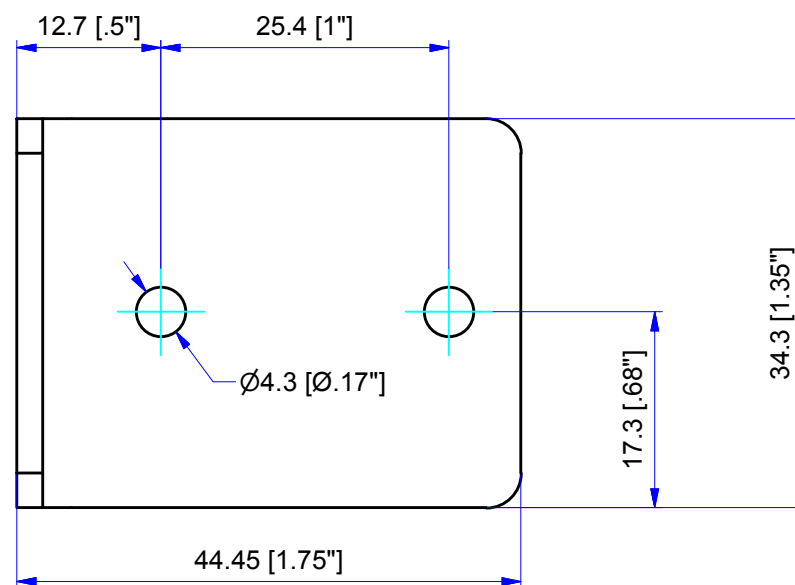


C2-2006 valve shown



Dimension in mm [Inch]

Cheminert valve	X		Y	
	mm	Inch	mm	Inch
C2-* 4 or 6 port	Ø31.7	Ø1.25"	45.7	1.8"
C2H-* 8 or 10 port	Ø34.9	Ø1.375"	47.8	1.88"
C4-* Internal volume	Ø31.7	Ø1.25"	45.7	1.8"
C5-* 4 or 6 port	Ø31.7	Ø1.25"	45.7	1.8"
C5H-* 8 or 10 port	Ø34.9	Ø1.375"	47.8	1.88"

THIS DOCUMENT AND THE INFORMATION WHICH IT CONTAINS SHALL NOT BE USED, EXPLOITED OR SOLD, AND SHALL NOT BE REVEALED OR DISCLOSED TO OTHERS WITHOUT THE EXPRESS WRITTEN PERMISSION OF VICI. THIS DOCUMENT SHALL REMAIN THE PROPERTY OF VICI AND SHALL BE RETURNED UPON DEMAND.

Aenderungen: a) 18.02.10 FP #608, added C5 valves
 MODIFICATIONS: b) 29.04.13 FP #721, added C4 valves

PART NO.:

Material MATERIAL Dimensionen DIMENSIONS

Projektion PROJECTION Allgemein Toleranzen GENERAL TOLERANCES

SN EN 22768-1/ ISO 2768

Masstab SCALE 1.5:1 Gezeichnet DRAWN 17.11.2009 F.P.
 Geprüft / Freigabe CHECKED/ RELEASE 29.04.2013 FCo
 CAD Nr. CAD NO. 506355.idw

Unterverz.: KUNDE
 SUB DIREC.:

Zeichnungs Nr. / DRAWING NO. 3 - GE - 5063.55 b

Cheminert high pressure valve, manual actuated

General dimensions

VICI VICI AG International, CH-6214 Schenkon