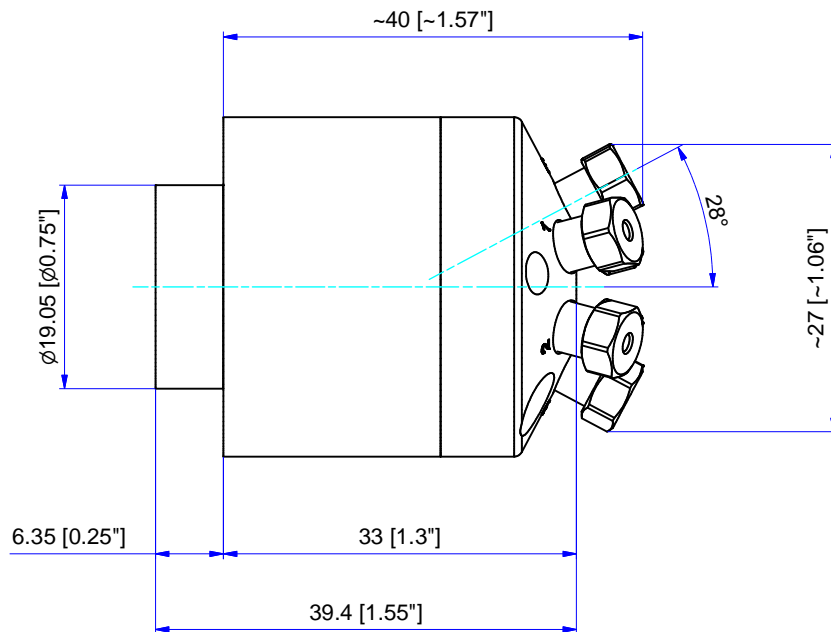
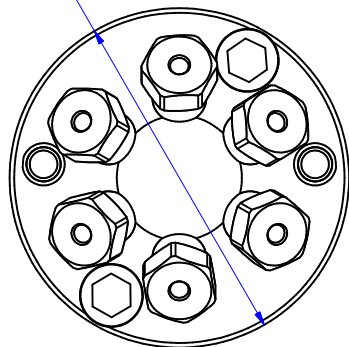
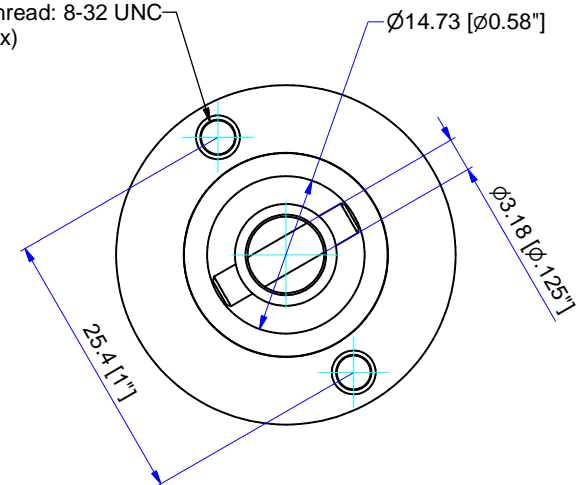


Ø31.75 [Ø1.25"]

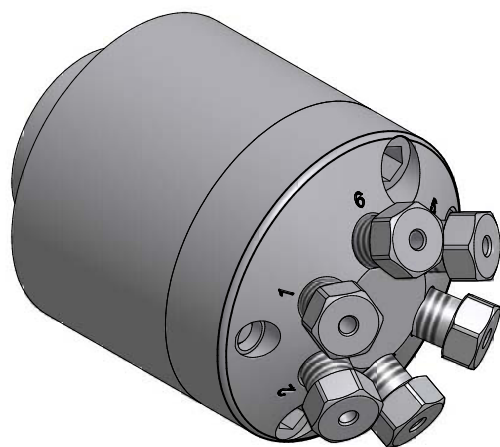


Thread: 8-32 UNC
(2x)



Dimension in mm [Inch]

ANGLE OF ROTATION 60°



THIS DOCUMENT AND THE INFORMATION WHICH IT CONTAINS SHALL NOT BE USED, EXPLOITED OR SOLD, AND SHALL NOT BE REVEALED OR DISCLOSED TO OTHERS WITHOUT THE EXPRESS WRITTEN PERMISSION OF VICI. THIS DOCUMENT SHALL REMAIN THE PROPERTY OF VICI AND SHALL BE RETURNED UPON DEMAND.		Material MATERIAL	Dimensionen DIMENSIONS
Änderungen: MODIFICATIONS: a) 25.08.05 FP #462, Redrawn in Inventor		Projektion PROJECTION	Allgemein Toleranzen GENERAL TOLERANCES
PART NO.: C2-*006D			SN EN 22768-1/ ISO 2768
C2 Cheminert Valve 6 Port		Masstab SCALE 2:1	Gezeichnet DRAWN 05.11.2003 F.P. Geprüft / Freigabe CHECKED/RELEASE 25.08.2005 FCo CAD Nr. CAD NO. 506040.idw
General dimensions		Unterverz.: SUB DIRC.: KUNDE	
VICI AG International, CH-6214 Schenkon		Zeichnungs Nr. / DRAWING NO. 3 - GE - 5060.40 a	