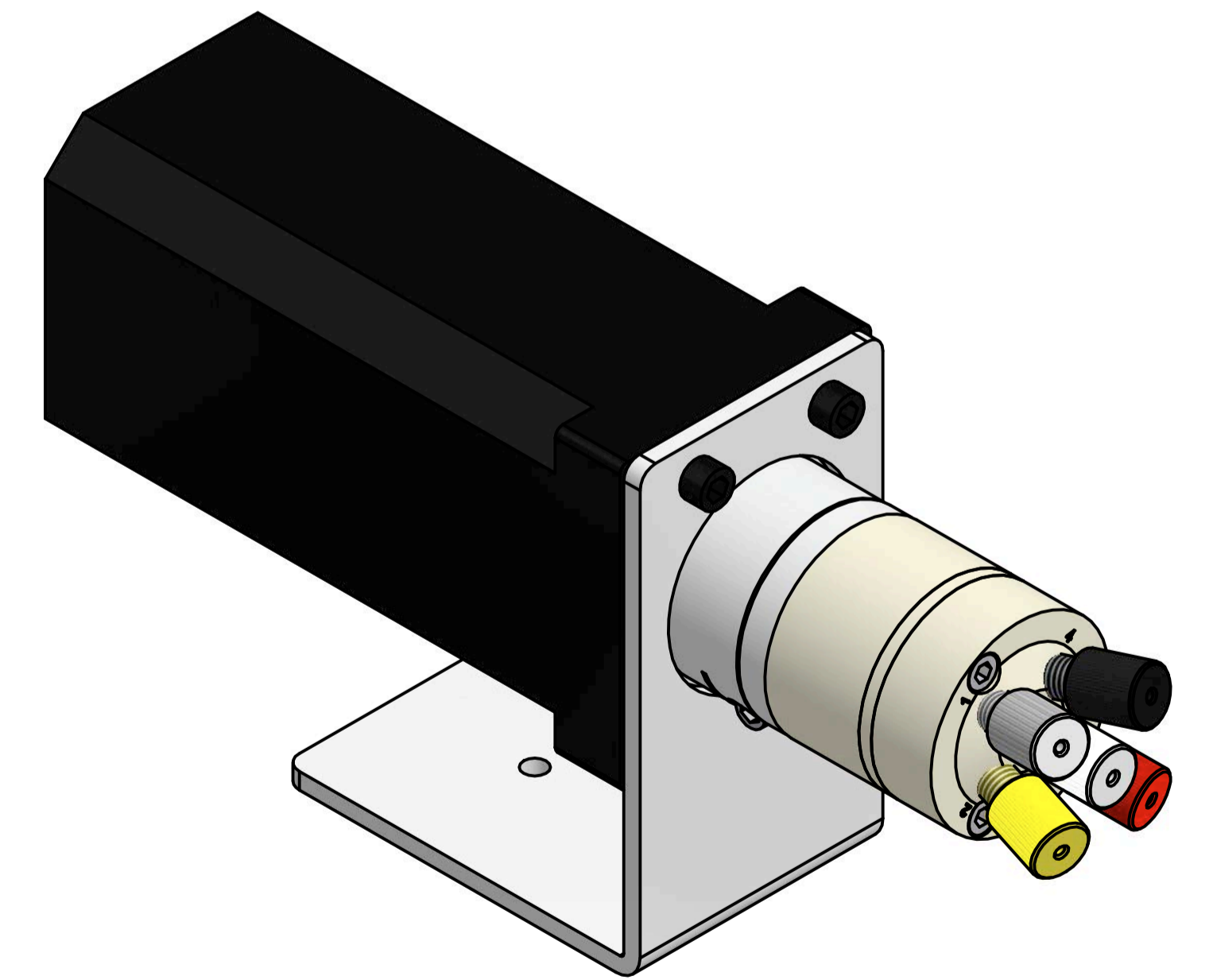


Dimension in mm [Inch]



mpos. 4 port C25 valve shown

Serie	Description	Fitting	X	L
C25Z mpos.	4, 6, 8 and 10 position	1/16" ZDV	Ø34.93 mm Ø1.375"	40.0 mm 1.575"
C25Z mpos.	12 position	1/16" ZDV	Ø44.2 mm Ø1.74"	43.0 mm 1.69"
C25Z mpos.	14 position	1/16" ZDV	Ø41.3 mm Ø1.625"	40.4 mm 1.59"
C25 mpos.	4 and 6 position	1/4"-28	Ø34.93 mm Ø1.375"	40.0 mm 1.575"
C25 mpos.	8 and 10 position	1/4"-28	Ø44.2 mm Ø1.74"	40.64 mm 1.6"

THIS DOCUMENT AND THE INFORMATION WHICH IT CONTAINS SHALL NOT BE USED, EXPLOITED OR SOLD, AND SHALL NOT BE REVEALED OR DISCLOSED TO OTHERS WITHOUT THE EXPRESS WRITTEN PERMISSION OF VICI. THIS DOCUMENT SHALL REMAIN THE PROPERTY OF VICI AND SHALL BE RETURNED UPON DEMAND.

Material: ALUMINUM  
Dimension: DIMENSIONS

PROJECTION: 1st ANGLE  
GENERAL TOLERANCES: F.P.

Part No.: 506018.idw  
Scale: 2:1  
Date: 07.04.2014  
Author: FCo

**C25 mpos valve with micro electric actuator**

General dimensions  
KUNDE

Zichungs Nr.: DRAWING NO.  
1 - GE - 5060.18 d

VICI AG International, CH-6214 Schenkon