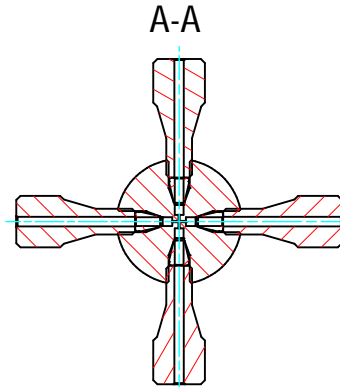
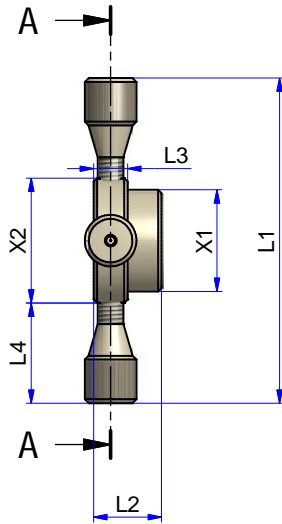
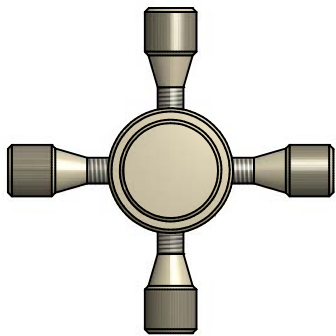
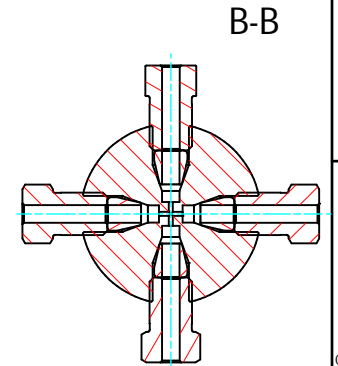
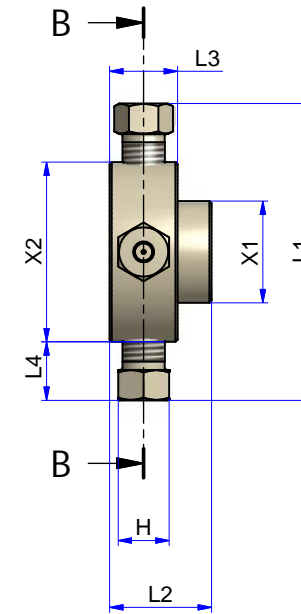
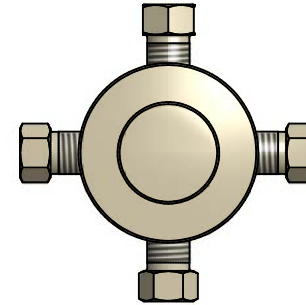


SHOWN ZX1CFPK



SHOWN ZX2PK



Dimension in mm [Inch]

Part#	Description	L1	L2	L3	L4	X1	X2	H
ZX5*	Cross, ZDV: 1/32"	-33.2 mm [-1.310"]	9.53 mm [0.375"]	4.77 mm [0.188"]	-7.5 mm [-0.295"]	Ø15.88 mm [Ø0.625"]	Ø18.29 [Ø0.720"]	Ø6.35 mm [Ø0.250"]
ZX1*	Cross, ZDV: 1/16"	-61.0 mm [-2.400"]	12.7 mm [0.500"]	6.35 mm [0.250"]	-18.7 mm [-0.740"]	Ø19.05 mm [Ø0.750"]	Ø23.37 [Ø0.920"]	Ø9.65 mm [Ø0.380"]
ZX2*	Cross, ZDV: 1/8"	-55.0 mm [-2.165"]	19.05 mm [0.750"]	12.7 mm [0.500"]	-10.7 mm [-0.420"]	Ø19.05 mm [Ø0.750"]	Ø33.66 [Ø1.325"]	9.53 mm Hex [3/8" Hex]

THIS DOCUMENT AND THE INFORMATION WHICH IT CONTAINS SHALL NOT BE USED, EXPLOITED OR SOLD, AND SHALL NOT BE REVEALED OR DISCLOSED TO OTHERS WITHOUT THE EXPRESS WRITTEN PERMISSION OF VICI. THIS DOCUMENT SHALL REMAIN THE PROPERTY OF VICI AND SHALL BE RETURNED UPON DEMAND.

Aenderungen: a) 23.06.09 FP #582, changed chart, ECN 10988
MODIFICATIONS:

PART NO.:

Material MATERIAL
Dimensionen DIMENSIONS
Allgemein Toleranzen GENERAL TOLERANCES
SN EN 22768-1/ISO 2768



Crosses, PEEK

General dimensions



VICI AG International, CH-6214 Schenkon

Masstab SCALE	Gezeichnet DRAWN	19.12.2005	F.P.
1:1	Gepflicht / Freigabe CHECKED/RELEASE	23.06.2009	FCo
	CAD Nr. CAD NO.	506062.idw	

Unterverz.: SUB DIREC.: KUNDE

Zeichnungs Nr. / DRAWING NO.

3 - GE - 5060.62 a